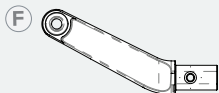


D



H

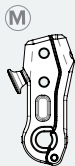
I



anti-theft
screw



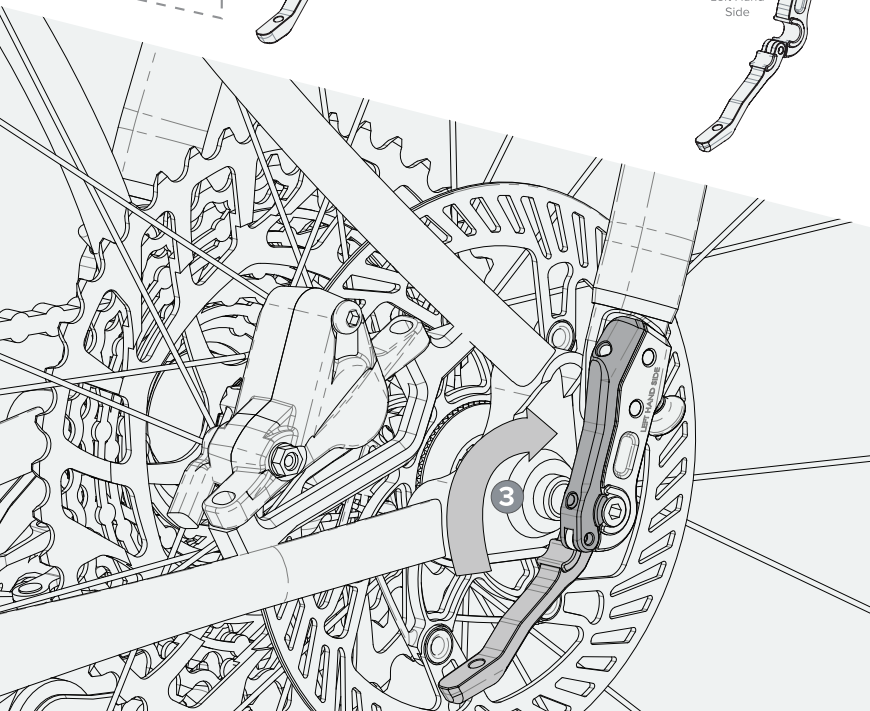
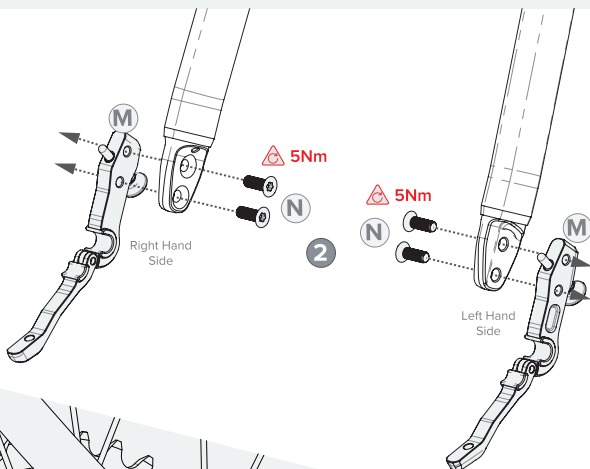
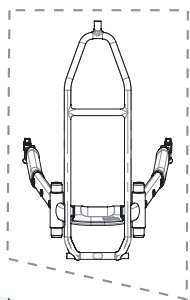
J



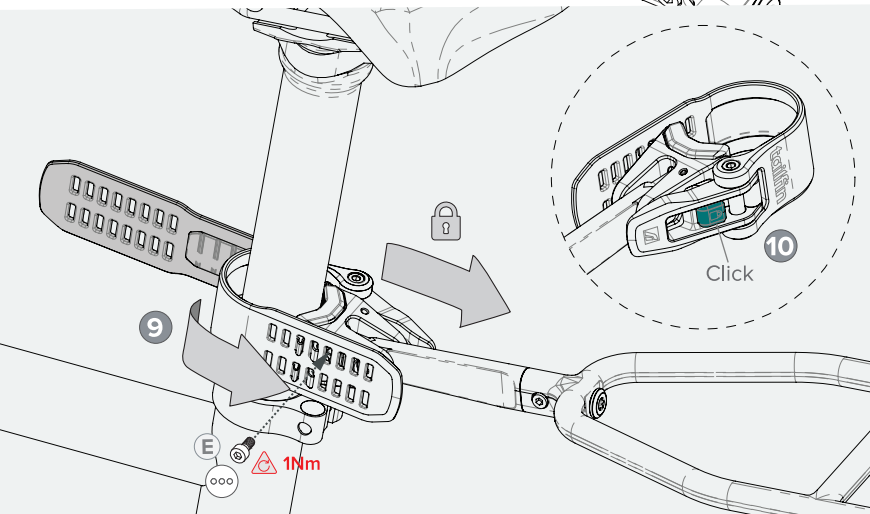
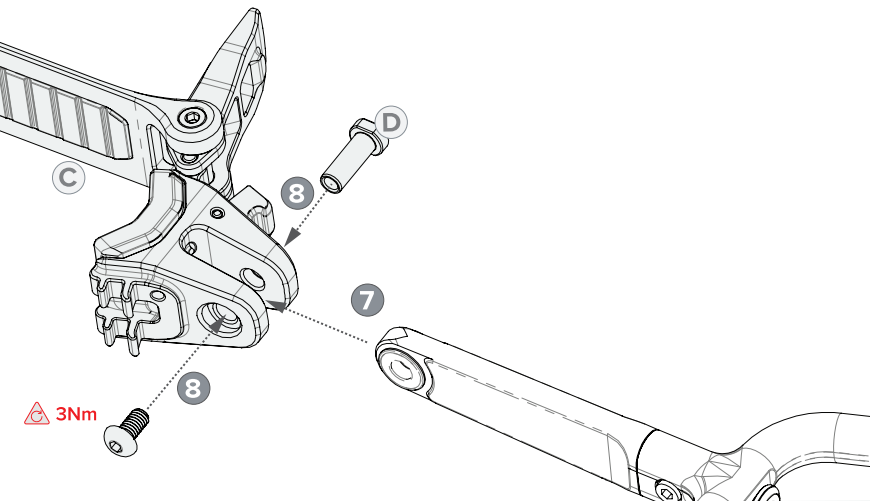
tailfin.

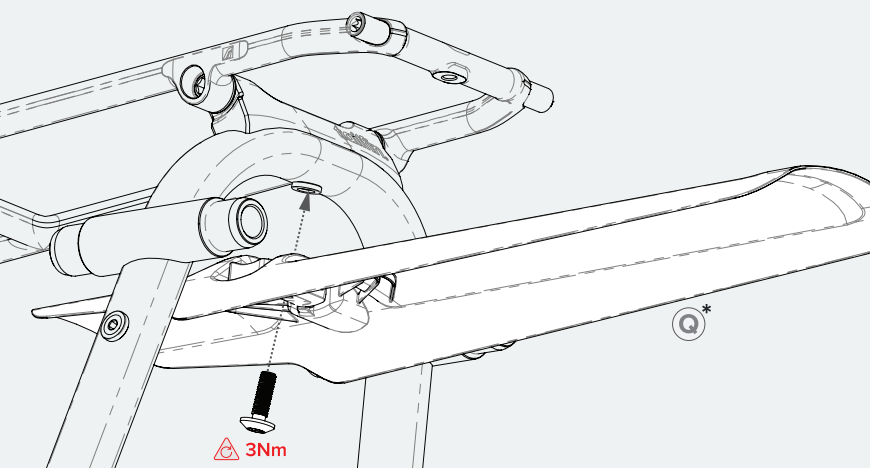
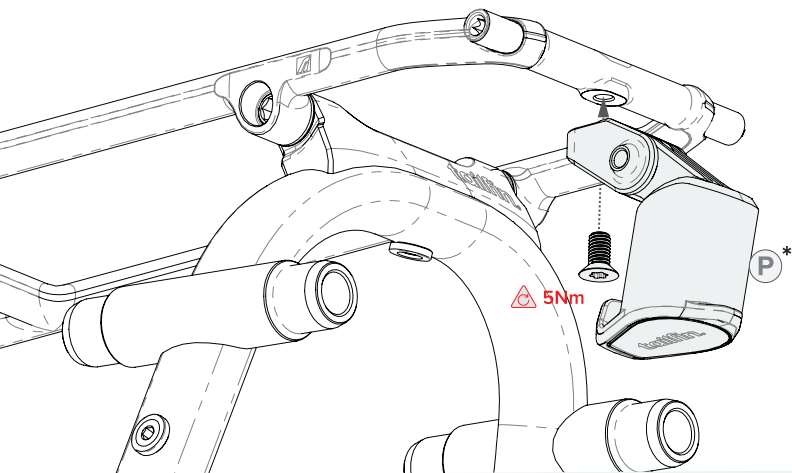
Journey Rack System
Assembly Instructions

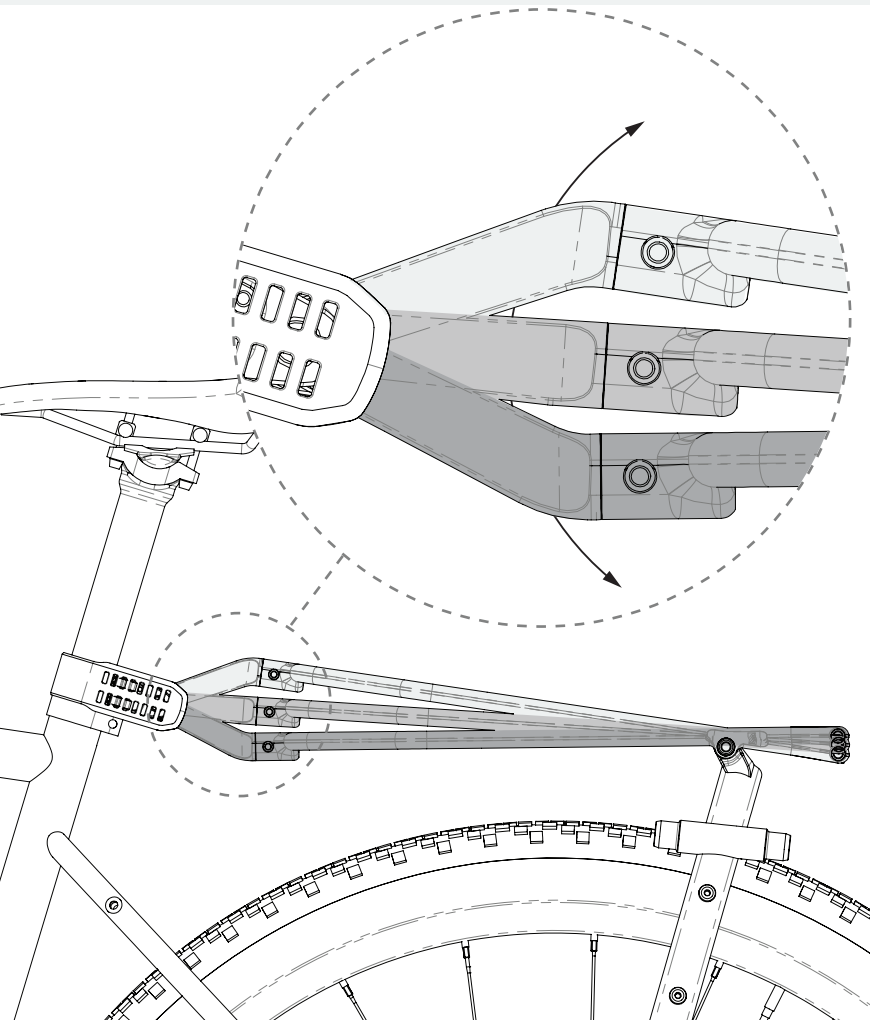
2 + 3



7 + 8 + 9 + 10 + ∞









*Included if ordered when purchasing.

- (A) TopStay**
- (B) Arch**
- (C) Seatpost Connector**
- (D) Seatpost Connector Fixings**
- (E) M2.5x8^{MM} Cap Head Screw**
- (F) Angled Front Link**
- (G) Straight Front Link**
- (H) M5 Washer**
- (I) M5x14^{MM} T25 Button Head Screw**
- (J) M4x8^{MM} Hex Cap Head Screw**
- (K) Pivot Bolts - 4^{MM} Hex Key**
- (L) Pin Connector Bolts - 5^{MM} Hex Key**
- (M) Fast Release Dropouts**
- (N) M5x14^{MM} T25 Countersunk Screws**
- (O) Thru Axle***
- (P) Light Mount***
- (Q) Mudguard***
- (ooo) Optional Step**

Product Assembly Guide

