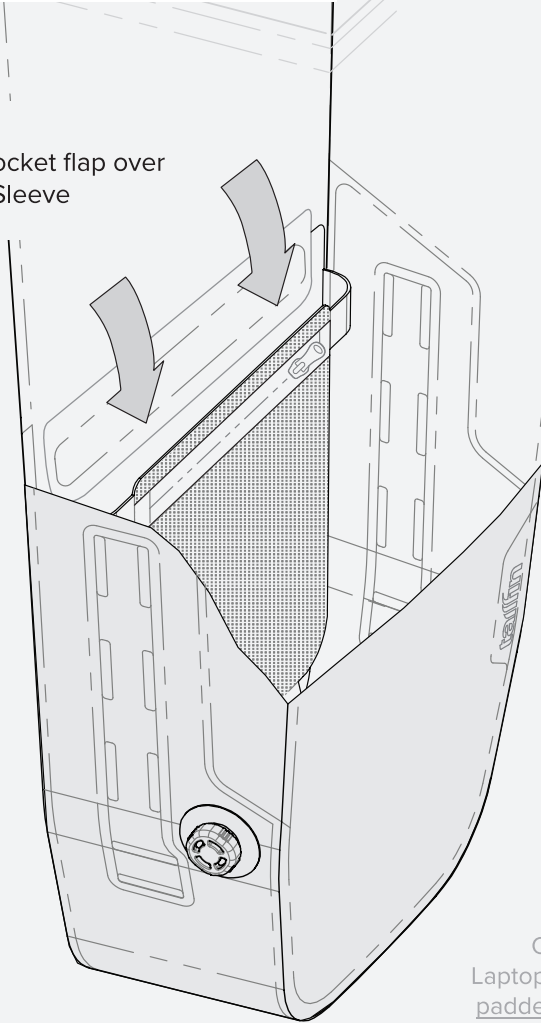


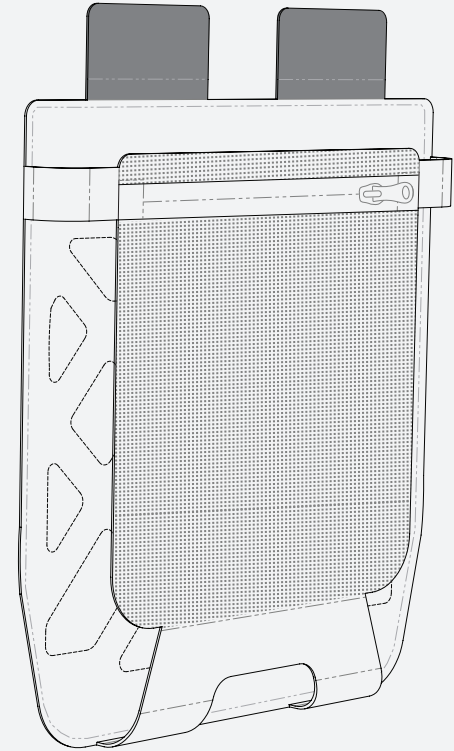
Step Three **Close Inner Pocket**

Close pocket flap over
Laptop Sleeve



Warning

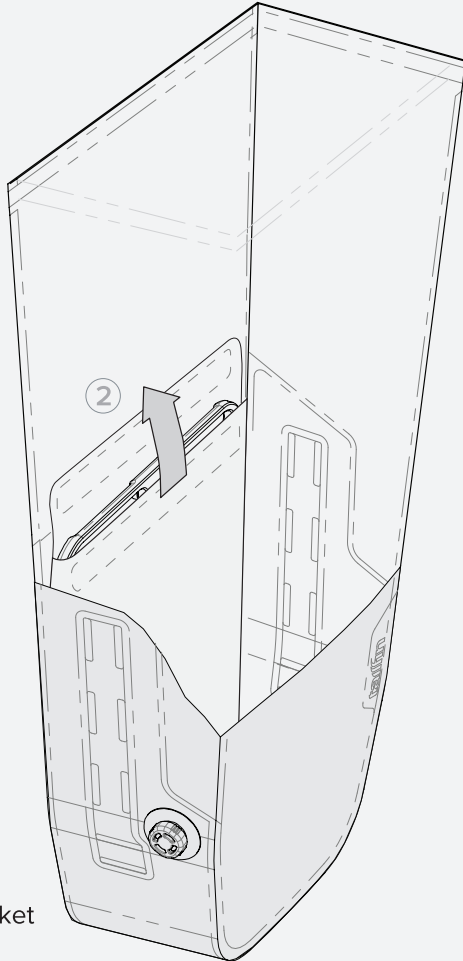
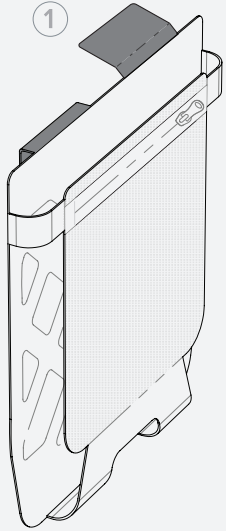
Only use Tailfin
Laptop Sleeve with a
padded laptop case.



tailfin

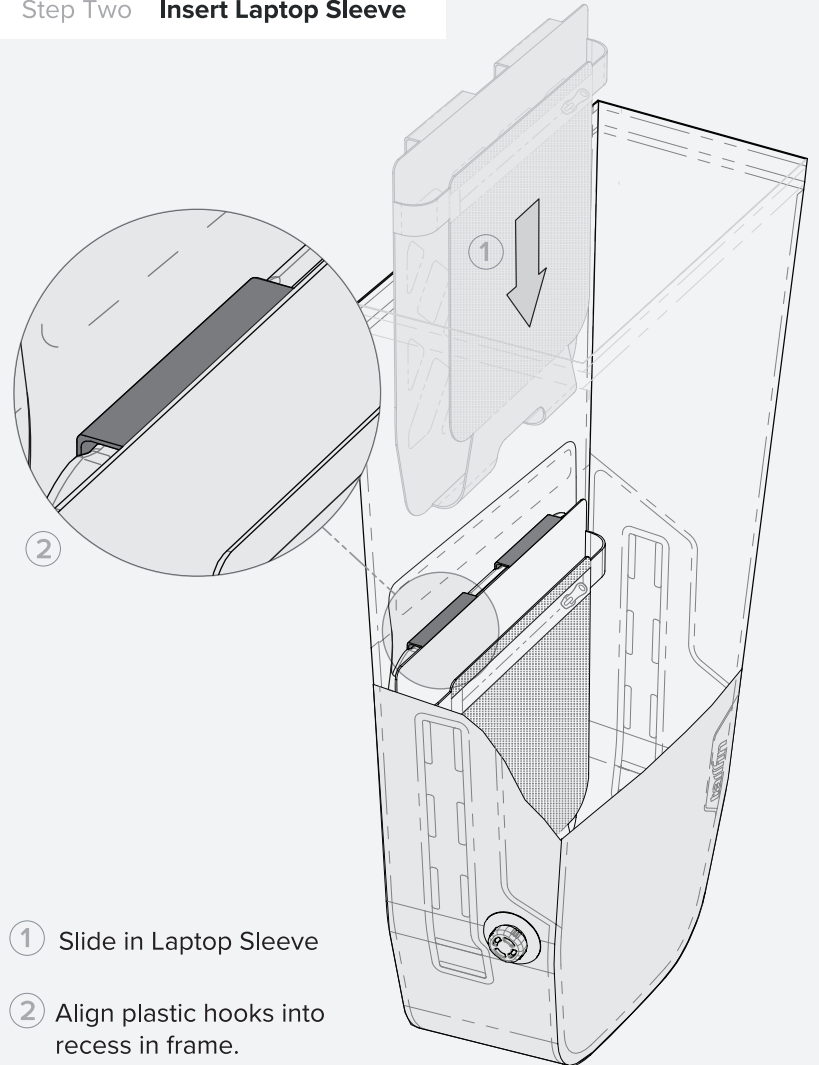
Laptop Sleeve for 16L Mini Pannier
User instructions

Step One Fold Plastic Hooks and Open Pocket



- 1 Fold down plastic hooks
- 2 Open internal frame pocket on 16L Mini Pannier

Step Two Insert Laptop Sleeve



- 1 Slide in Laptop Sleeve
- 2 Align plastic hooks into recess in frame.